







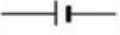
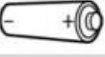






Group Name:

Student Name:

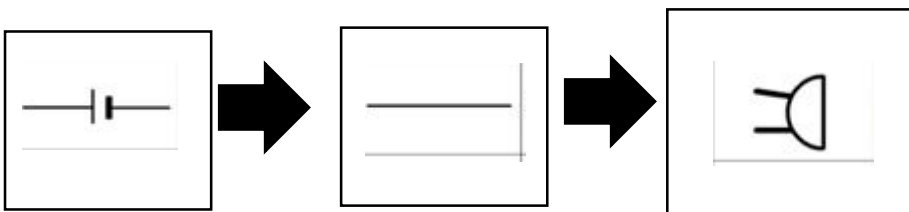
Task: Create a simple circuit using the key below

1. Name of circuit
2. Steps of circuit connection
3. Summary of what the circuit does

Motor		Converts electrical energy into movement energy.	
Buzzer		Converts electrical energy into sound energy.	
Switch		Allows circuit to be opened or closed.	

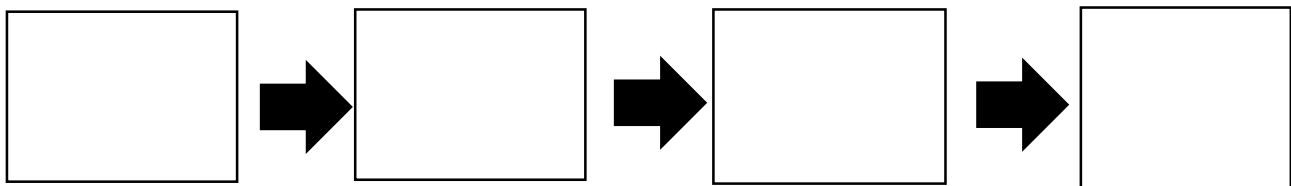
Component	Symbol	Purpose	Example
Cell battery		Provides electrical energy.	
Power supply		Alternative to using cells.	
Wire		Allows current to travel.	
Bulb/Light		Converts electrical energy into heat and light.	

Circuit: Alarm buzzer



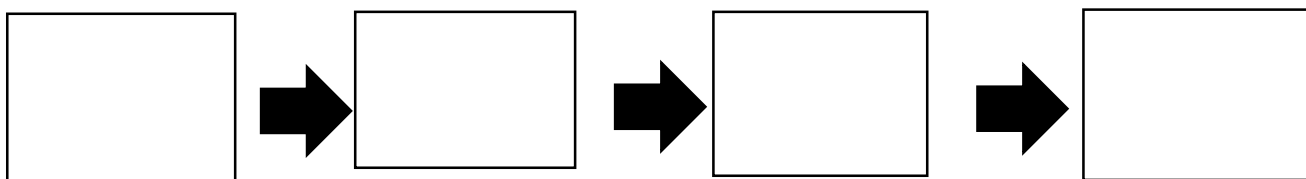
Summary: My circuit starts from the battery to wire to activate a buzzer to alarm people of fire.

Circuit:



Summary:

Circuit:



Summary: